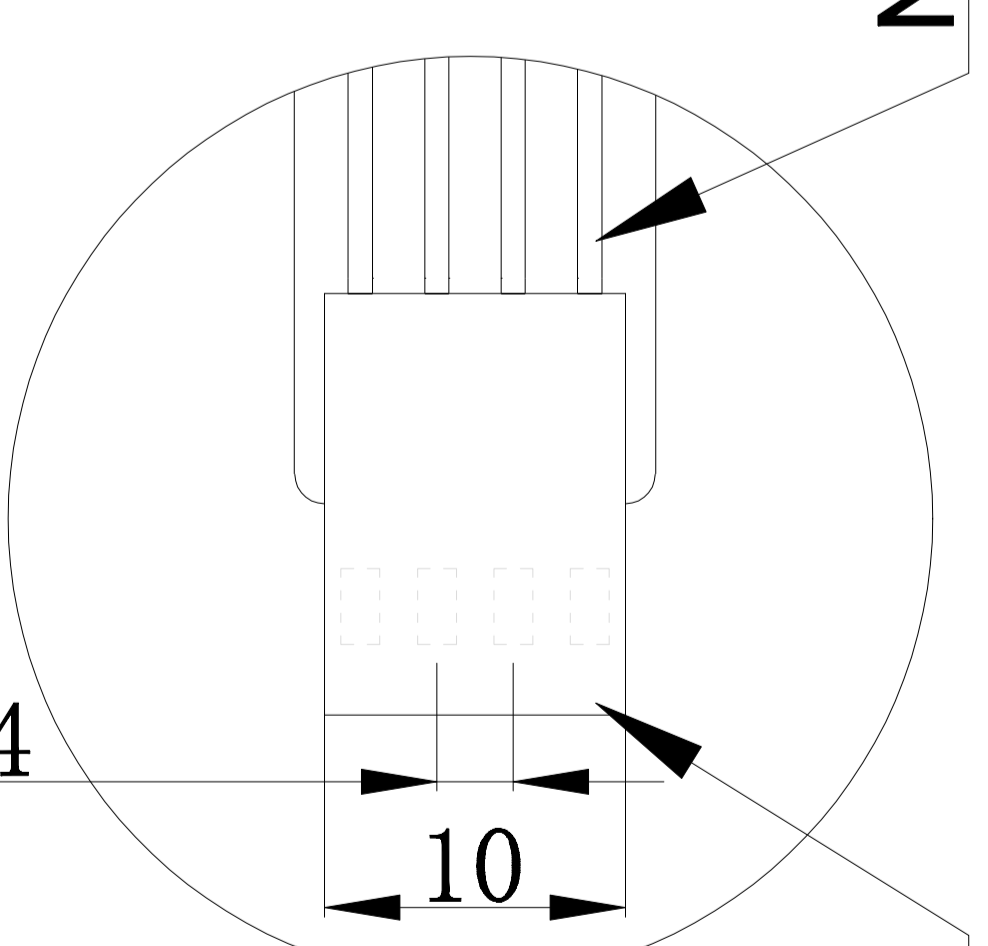


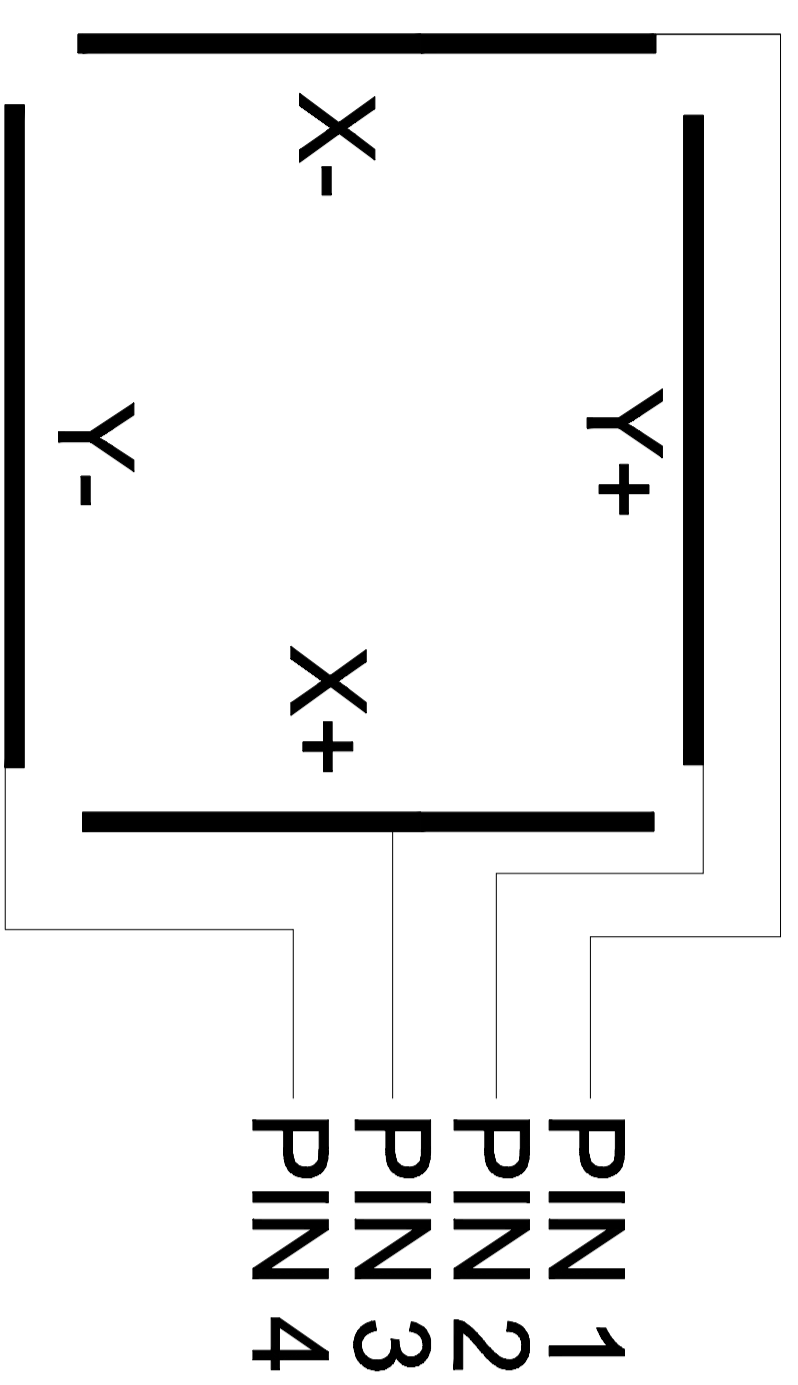
CABLE 4 POSITION
HX-543 OR EQUIVALENT



Notes:

- 1.Type:Film to Glass
- 2.Operating Voltage:≤10V
- 3.Operation Temperature:-20℃~65℃
Storage Temperature:-30℃~70℃
- 4.Life Time:1.000.000 times
- 5.Connect Material:FPC
- 6.Response Time:≤10ms
- 7.Linearity:≤1.5%
- 8.Transmittance:≥75%
- 9.Surface Hardness≥3H(pencil)
- 10.Operation force:60g~150g
- 11.Resistance:X:360Ω-880Ω Y:200Ω-500Ω

Logic:



0.188mm Ito Film
1.8mm Ito Glas

HOUSING

(UNLESS OTHERWISE STATED)
DECIMALS ANGLES ±0.5%

TOLERANCES

>2000MM	±2.00MM
1600< X ≤2000MM	±1.20MM
1200< X ≤1600MM	±0.80MM
800< X ≤1200MM	±0.50MM
400< X ≤800MM	±0.40MM
120< X ≤400MM	±0.30MM
30< X ≤120MM	±0.20MM
<30MM	±0.10MM

		GreenTouch Technology Co.,Ltd	
		Model No.:	GT-4W-15A-1
Structure	G+F	Size	15"
Design	李俊	Unit	mm
Check	付作书	Date	2020.06.08
Release	汪陈	Date	2020.06.08
		Ratio	4:3
		Scale	1:1
		Page	1/1
		Version	A0