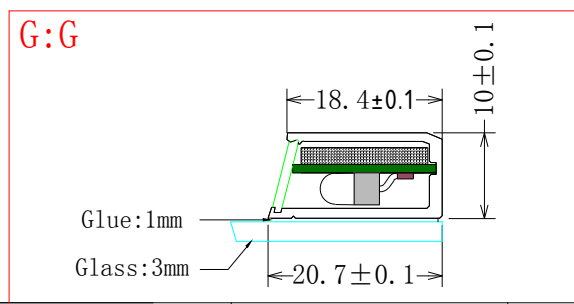
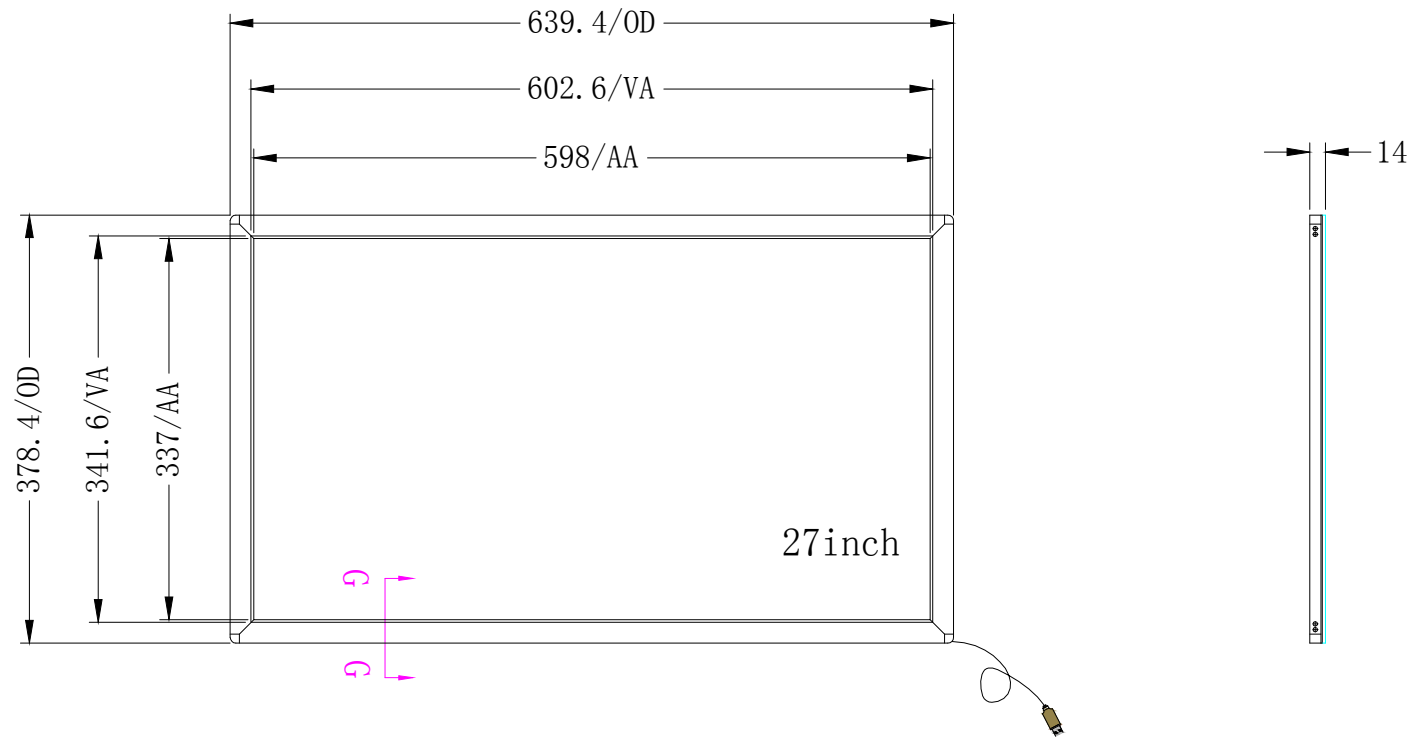


| | | | | | |
|---------|--------------------|---|------|--------|--|
| 3 | | 2 | | 1 | |
| Version | Reasons for change | | DATE | Design | |
| | | | | | |



TOLERANCES
(UNLESS OTHERWISE STATED)

| DECIMALS | ANGLES | ±0.5° |
|---------------|---------|-------|
| >2000mm | ±2.00mm | |
| 1600<x≤2000mm | ±1.20mm | |
| 1200<x≤1600mm | ±0.80mm | |
| 800<x≤1200mm | ±0.50mm | |
| 400<x≤800mm | ±0.30mm | |
| 120<x≤400mm | ±0.20mm | |
| 30<x≤120mm | ±0.20mm | |
| ≤30mm | ±0.15mm | |

THIRD ANGLE PROJECTION

格林触控
GreenTouch GreenTouch Technology Co.,Ltd

| | | | |
|-----------|--------------|----------|------------|
| Model No: | GT-IR-TB27-1 | Size: | 27" |
| Ratio: | 16:9 | Unit: | mm |
| Design: | MR. LI | DATE: | 2018.12.06 |
| Scale: | 1:1 | Version: | A1 |
| Page: | 1/1 | | |